

GROVESCHIEBEFENSTER
SLIDING WINDOWBILDTADEL
PICTORIAL DISPLAY

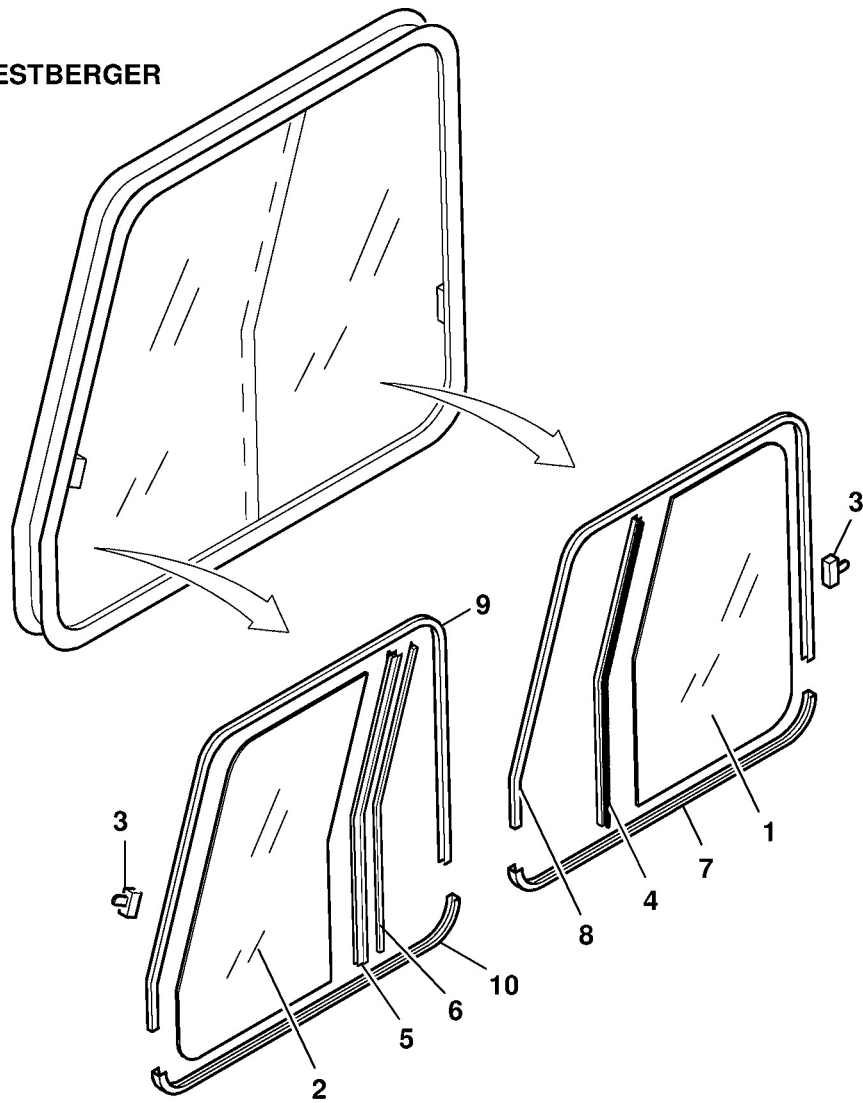
08.02

2312380-ETL B

1/1

GMK 5200
BE 550
G 231

WESTBERGER



ALUX

